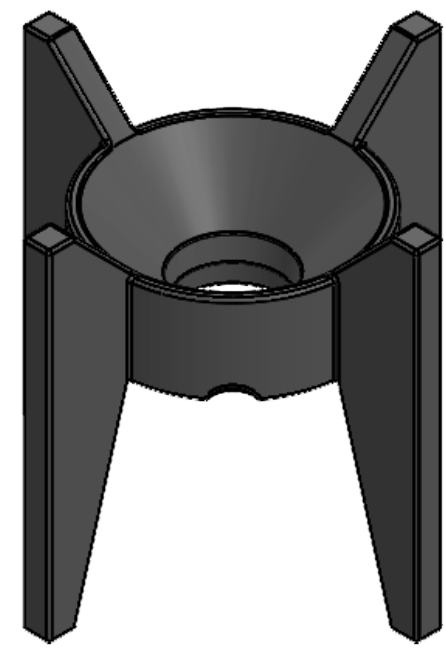
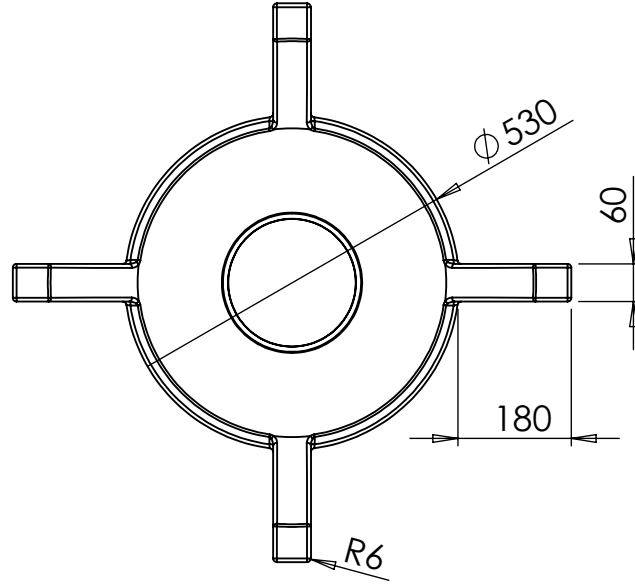
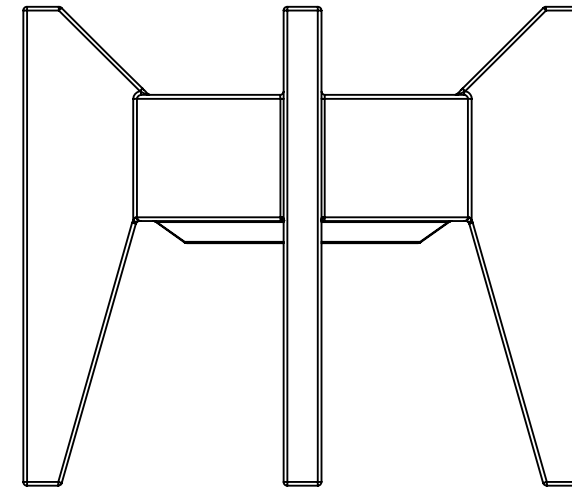
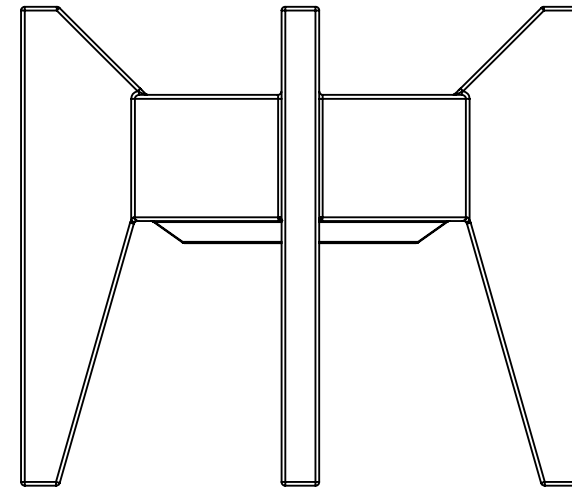
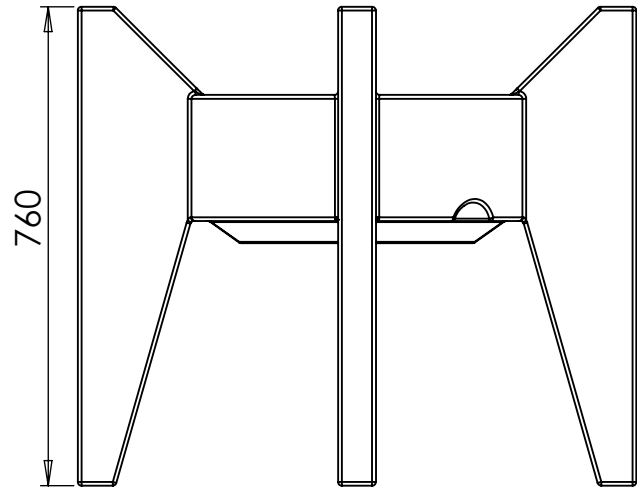
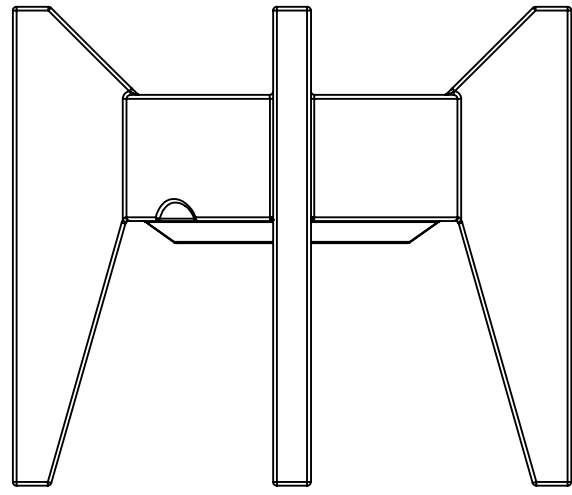
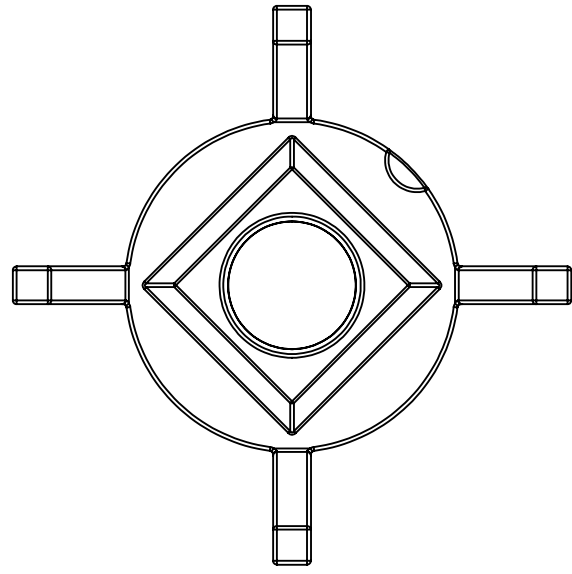


This drawing and design is the property of Cipax.
 Copying and distribution of the drawing or any contents
 is prohibited without written permission from authorised
 personal at Cipax

Revision			
Revision	Reason of change	Date	Approved



Designed by	Inspected by	Approved by - Date	General tolerance SS-ISO 2768-1	General surface finish, Ra	View position 	Scale 1:12
		Titel/Name Stativ silo 300-600L PE		Edition	Page 1(1)	
Drawing Number 69392						