

## PE Sokkel til silo 300-600L

PE sokkel til tømning af silo 300-600L.

Er forsynet med bundflange  $\varnothing$  200 mm. Frihøjde 300mm

Art.nr: 300-2S-600-2S

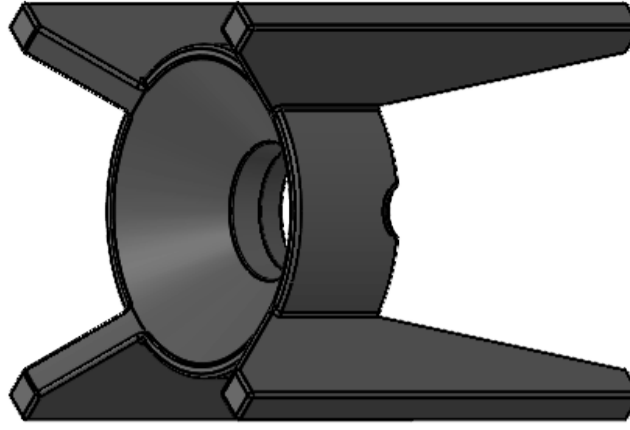
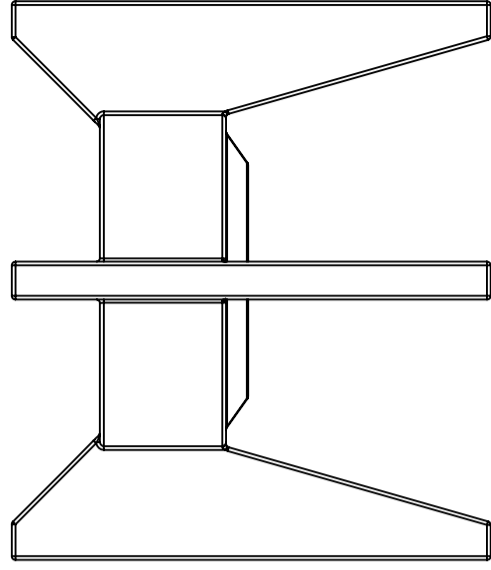
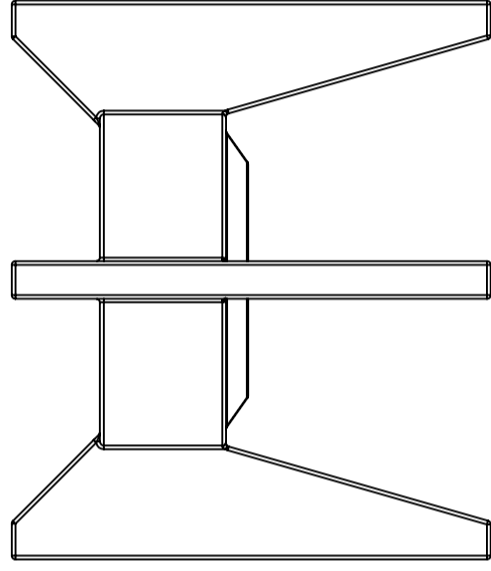
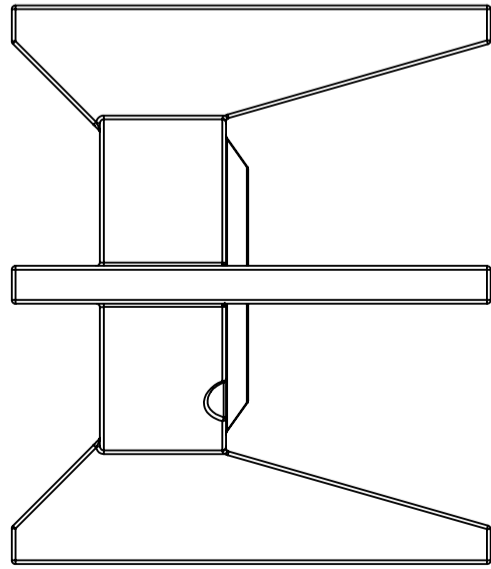
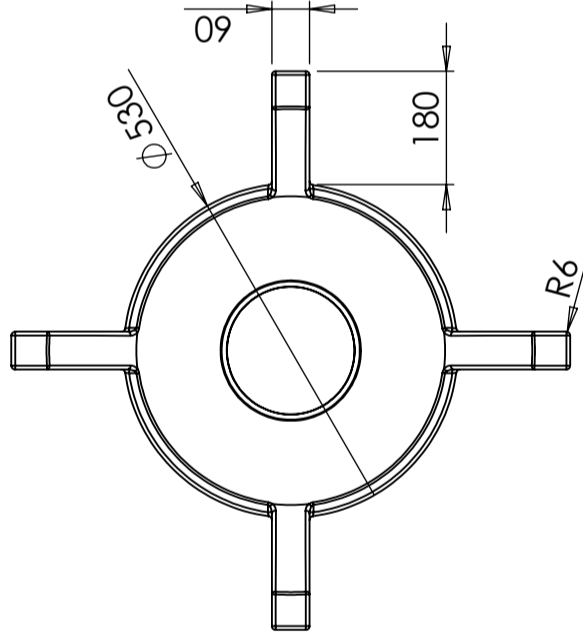
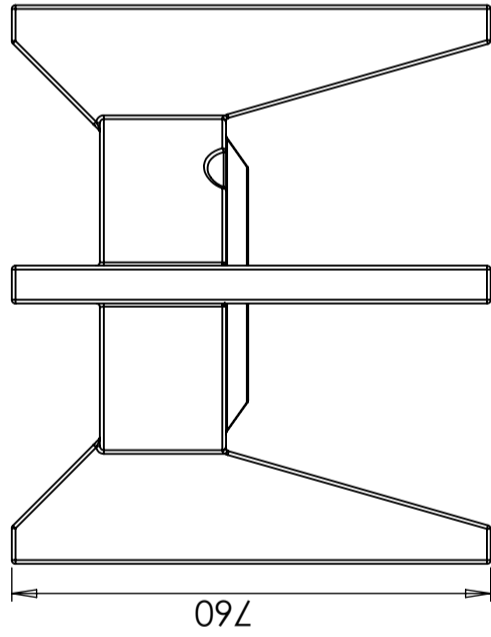
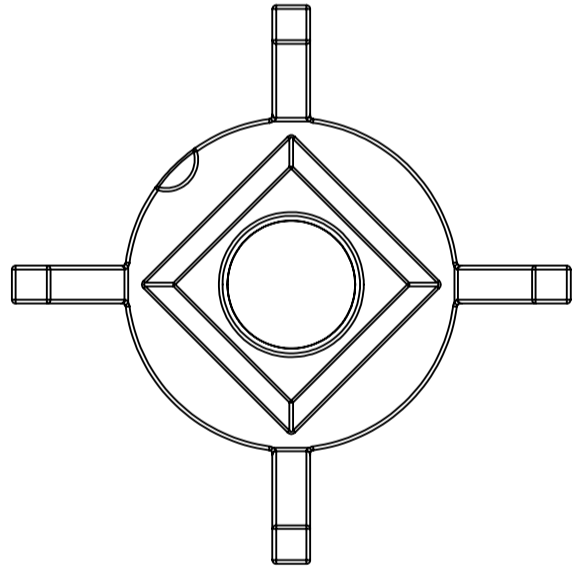


### Specifikationer

Farve	Sort
Diameter (mm)	760

### Egenskaber





Revision		Reason of change		Date		Approved	

Designed by	Inspected by	Approved by - Date	General tolerance SS-ISO 2768-1	General surface finish, Ra	View position	Scale
		-				1:12
Owner			Title/Name			
			Stativ silo 300-600L PE			
			Drawing Number			
			69392			
			Edition			
			1(1)			

