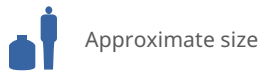


Fluid container 1000 L

Art.nr: 1000-10



Specifications	
Color	Natural
Volume (L)	1000
Length (mm)	1700
Width (mm)	1100
Height (mm)	900

Characteristics



Recyclable



Wide temperature range



Chemical resistance



Leak test



Logistics solutions

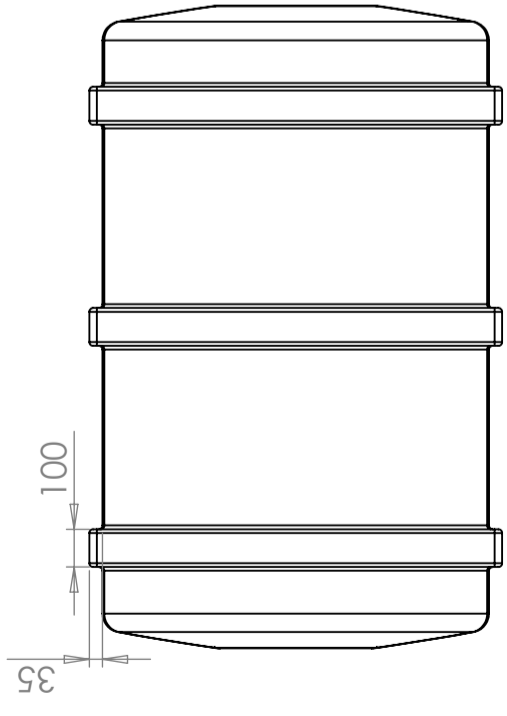


Suitable for food contact



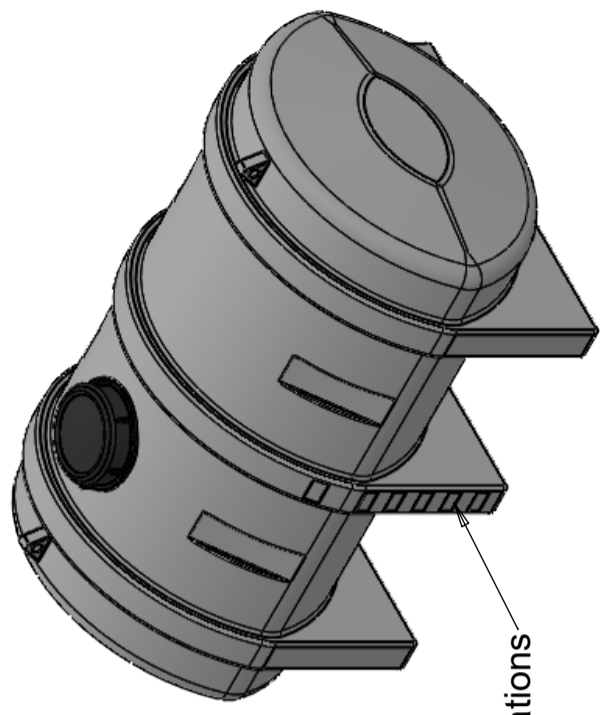
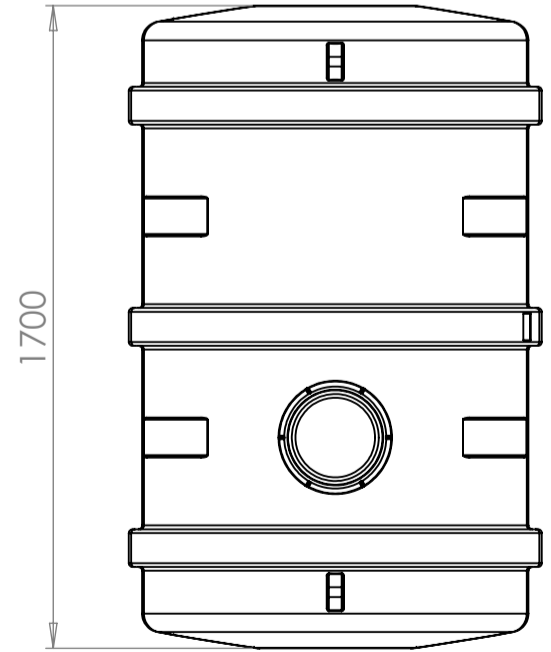
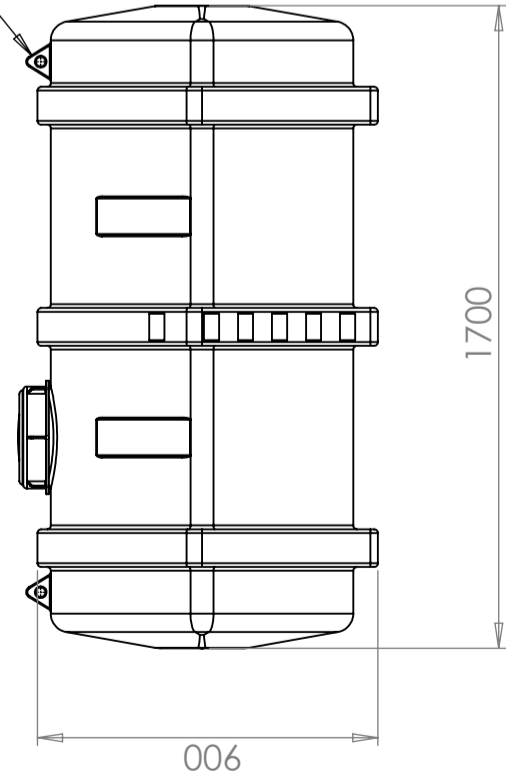
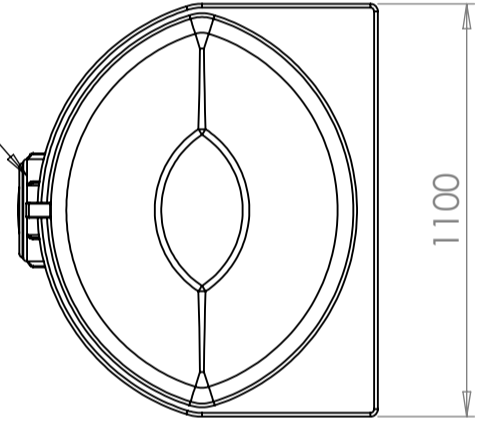
Easy to clean

Revision		
REV.	Ändringsmeddelande	Datum
		Godkänd



D300 lid black

Eyelet for lifting x2



Volume indications

This drawing and design is the property of CIPax. Copying and distribution of the drawing or any contents is prohibited without written permission from authorised personal at CIPax

Konstruerad av	Granskad av	Godkänd av - datum	Generell tolerans SS-ISO 2768-1	Generell Ytjämnhet, Ra	Vyplacering	Skala
		-				1:20
			Titel/Benämning			
			CPX Transporttank 1000L			
			Ritningsnummer			
			21555			
			Utgåva		Blad	
			A		1(1)	