

## Silo stand 3500-5500L metal

Art.nr: 3500-2S-5500-2S



Specifications	
Color	Silver
Diameter (mm)	1680

### Characteristics



Recyclable



Wide temperature range



Chemical resistance



Leak test



Logistics solutions

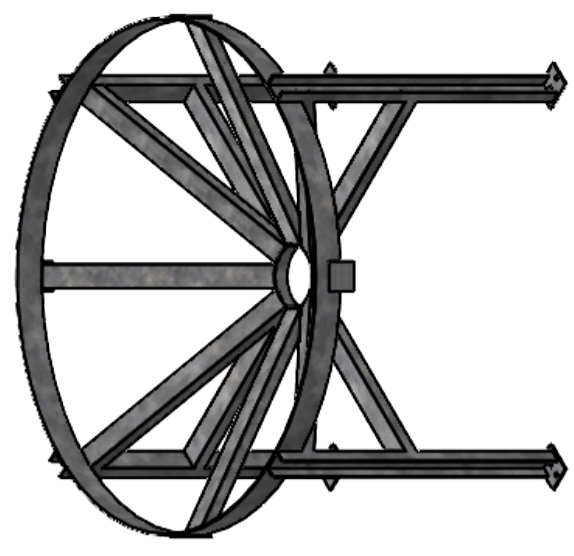
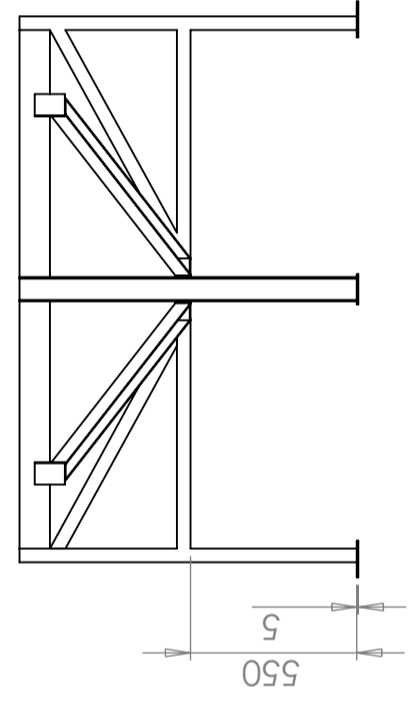
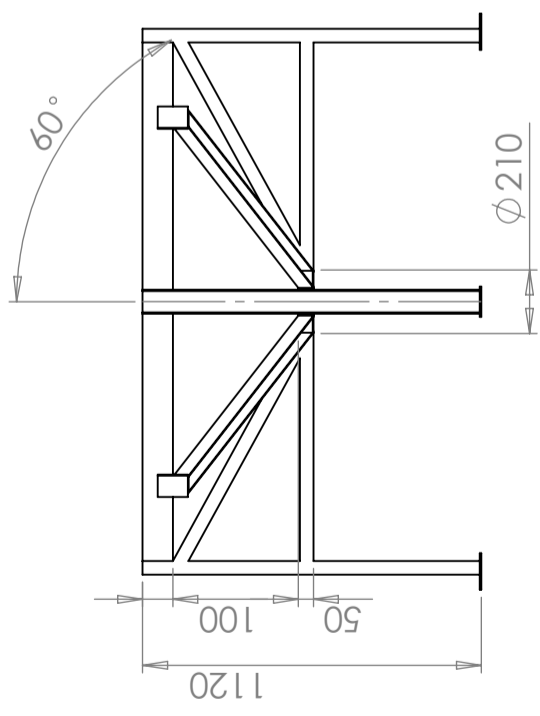
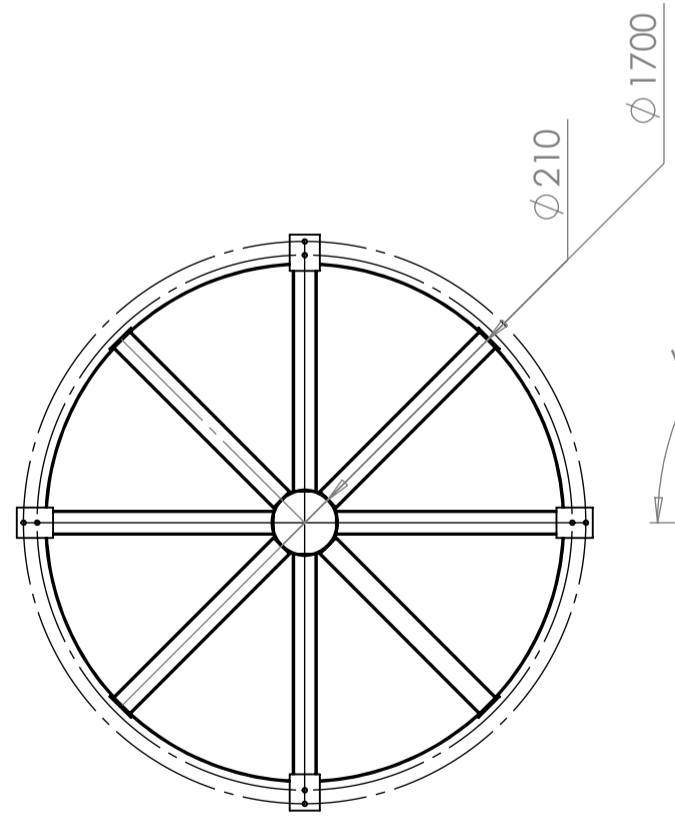


Suitable for food contact



Easy to clean

Revision		
REV.	Ändringsmeddelande	Datum
		Godkänd



T = 5mm  
Galvanized steel

This drawing and design is the property of CIPAX. Copying and distribution of the drawing or any contents is prohibited without written permission from authorised personal at CIPAX

Konstruerad av	Granskad av	Godkänd av - datum	Generell tolerans SS-ISO 2768-1	Generell Ytjämnhet, Ra	Vyplacering	Skala
		-				1:25
Titel/Benämning						
Stativ silo 3500/5500 metall						
Ritningsnummer						
69399						
Utgåva						Blad
A						1(1)

