

Silo stand 2500L metal

Art.nr: 2500-2S



Specifications	
Color	Silver
Diameter (mm)	1170

Characteristics



Recyclable



Wide temperature range



Chemical resistance



Leak test



Logistics solutions

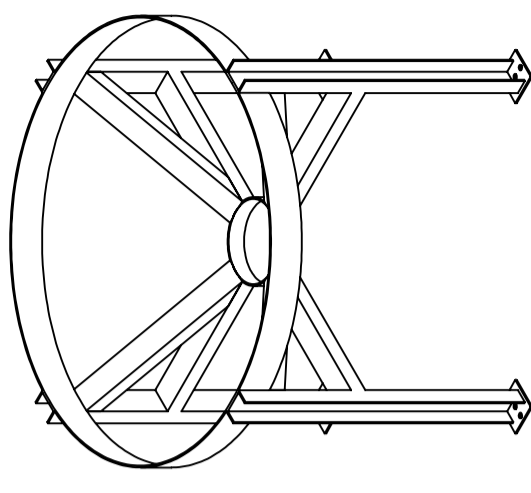
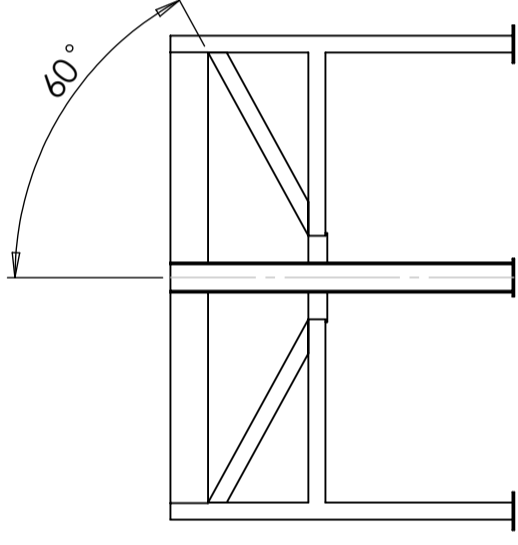
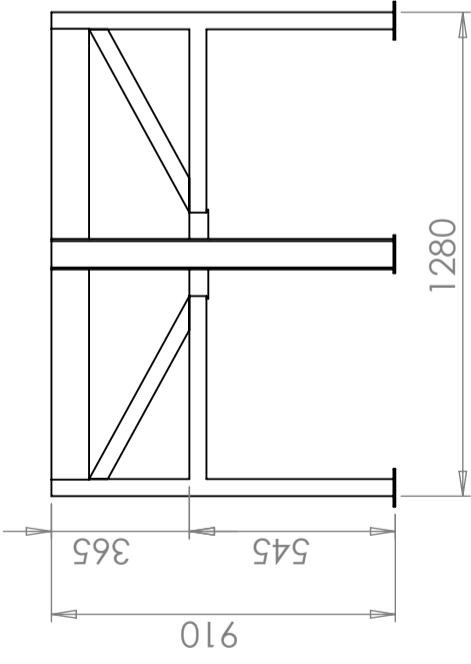
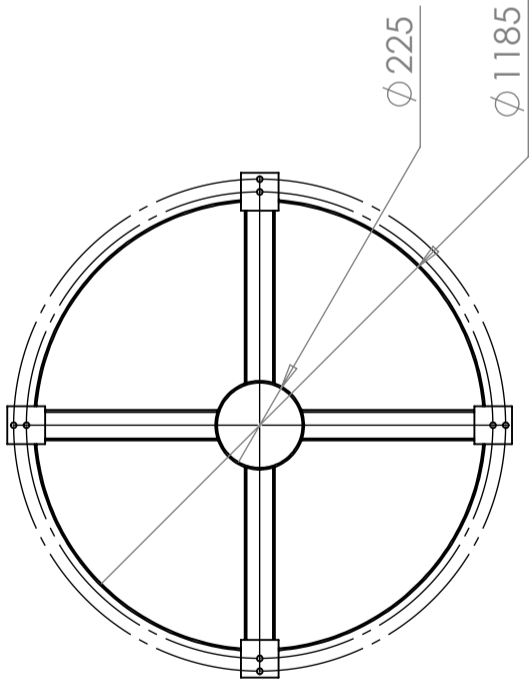


Suitable for food contact



Easy to clean

Revision		
REV.	Ändringsmeddelande	Datum
		Godkänd



galvanized steel

t = 5m

This drawing and design is the property of CIPAX. Copying and distribution of the drawing or any contents is prohibited without written permission from authorised personal at CIPAX

Konstruerad av	Granskad av	Godkänd av - datum	Generell tolerans SS-ISO 2768-1	Generell Ytjämnhet, Ra	Vyplacering	Skala
		-				1:20
Ägare			Titel/Benämning			
CIPAX			Stativ silo 2500L metall			
			Ritningsnummer			
			69401			
			Utgåva		Blad	
			A		1(1)	