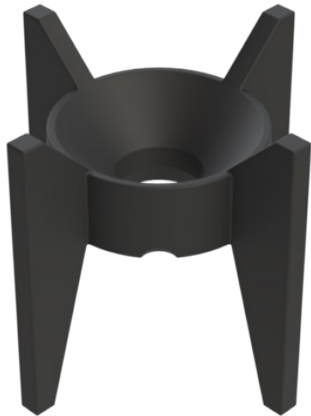


## PE Base for silo 300-600L

Art.nr: 300-2S-600-2S



Specifications	
Color	Black
Diameter (mm)	760

### Characteristics



Recyclable



Wide temperature range



Chemical resistance



Leak test



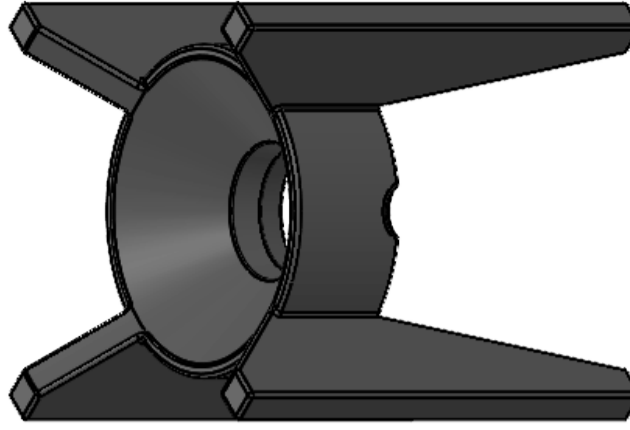
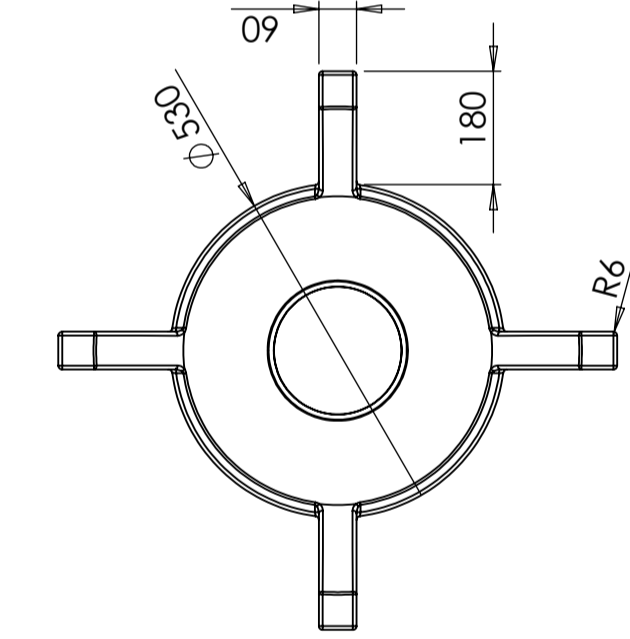
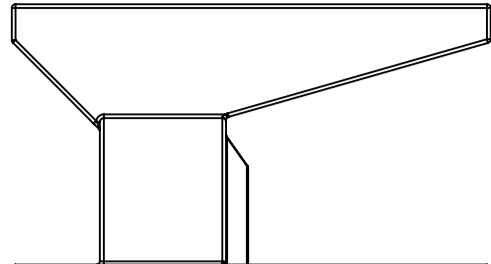
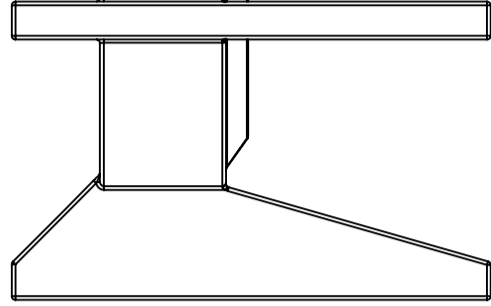
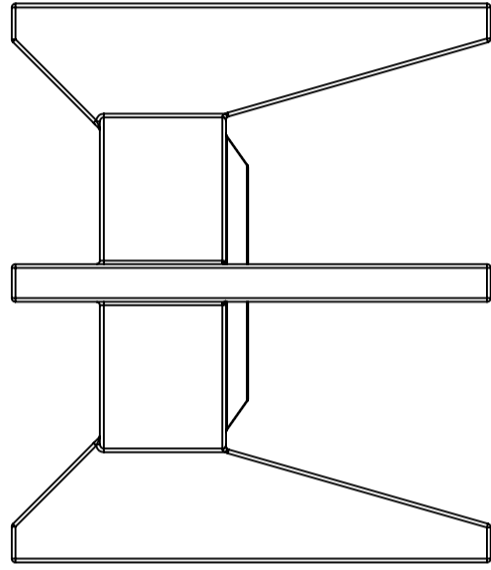
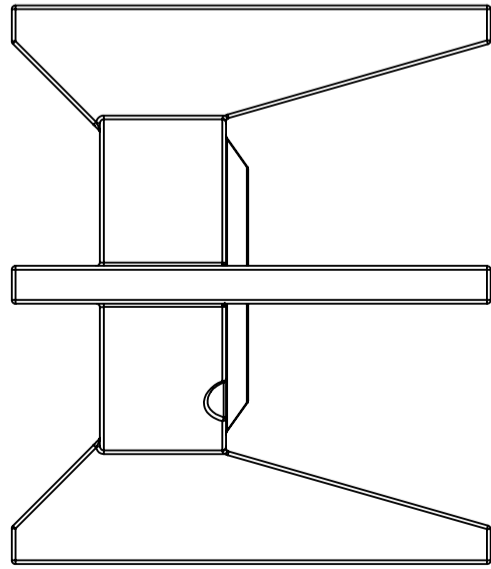
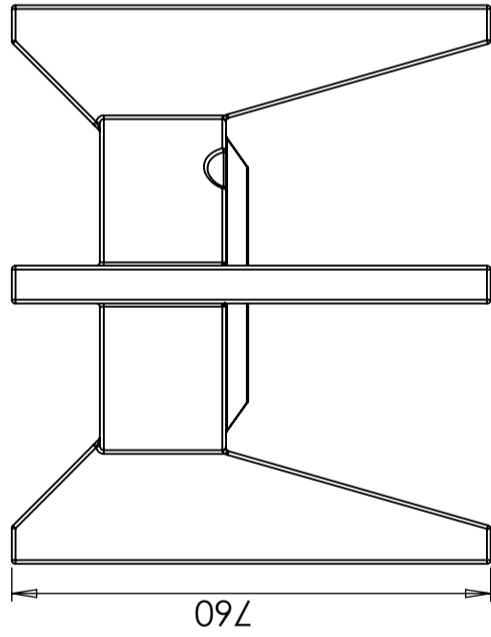
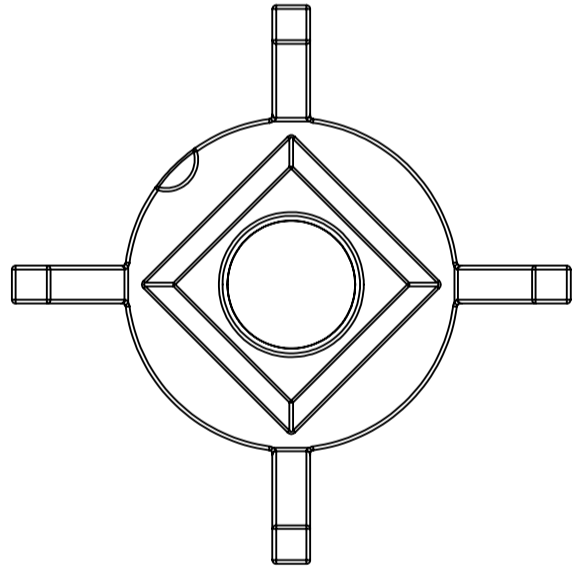
Logistics solutions



Suitable for food contact



Easy to clean



Revision		Reason of change		Date	Approved
Revision					

Designed by	Inspected by	Approved by - Date	General tolerance SS-ISO 2768-1	General surface finish, Ra	View position	Scale
		-				1:12
Owner			Title/Name			
			Stativ silo 300-600L PE Drawing Number 69392			
			Edition		Page	
					1(1)	