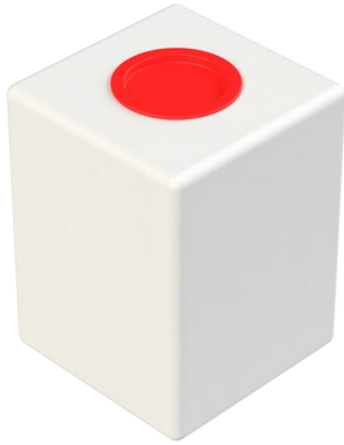


Laboratory canister 10 L

Art.nr: 10-10



Approximate size

Specifications	
Color	Natural
Volume (L)	10
Length (mm)	200
Width (mm)	200
Height (mm)	265

Characteristics



Recyclable



Wide temperature range



Chemical resistance



Leak test



Logistics solutions

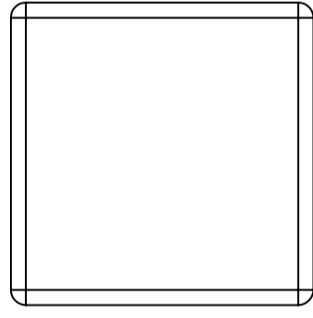


Suitable for food contact

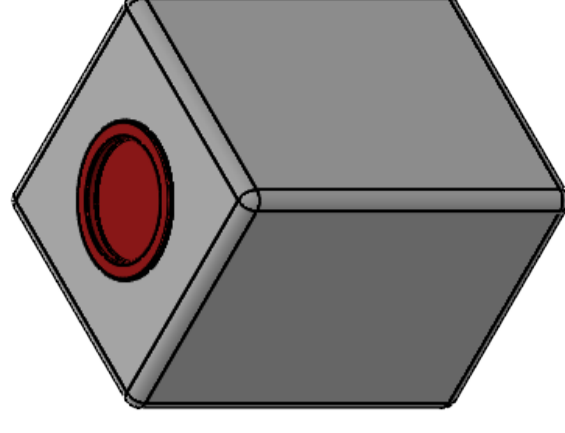
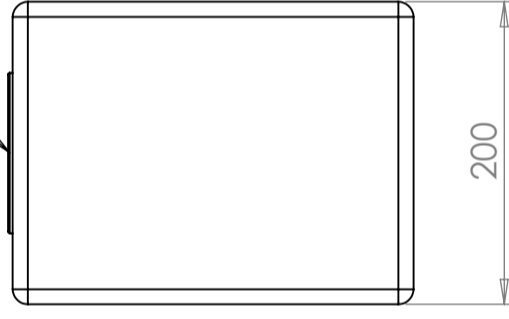
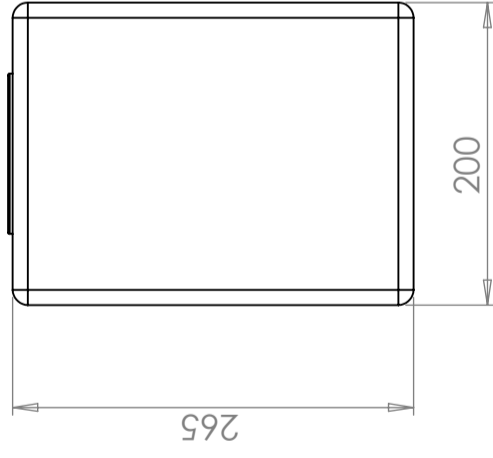
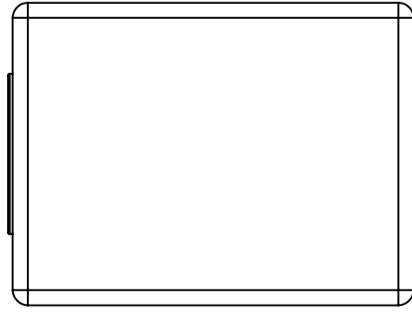


Easy to clean

Revision		
REV.	Ändringsmeddelande	Datum
		Godkänd



D90 snap cap



This drawing and design is the property of CIPAX. Copying and distribution of the drawing or any contents is prohibited without written permission from authorised personal at CIPAX

Konstruerad av	Granskad av	Godkänd av - datum	Generell tolerans SS-ISO 2768-1	Generell Ytjämnhet, Ra	Vyplacering	Skala
		-				1:5
			Titel/Benämning			
Ägare			Sluten naturell lock D90			
			Ritningsnummer			
			20101			
			Utgåva		Blad	
			A		1(1)	