

Silo Cylindrical 500 L

Art.nr: 500-2



Approximate size

Specifications	
Color	Natural
Volume (L)	500
Height (mm)	1470
Diameter (mm)	760

Characteristics



Recyclable



Wide temperature range



Chemical resistance



Leak test



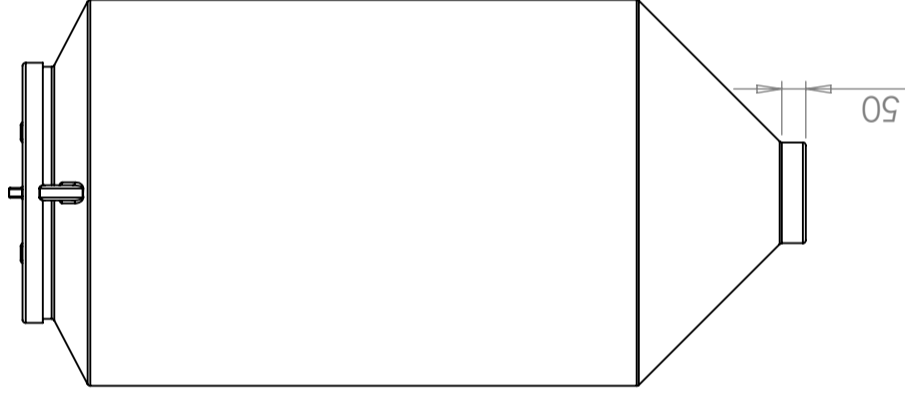
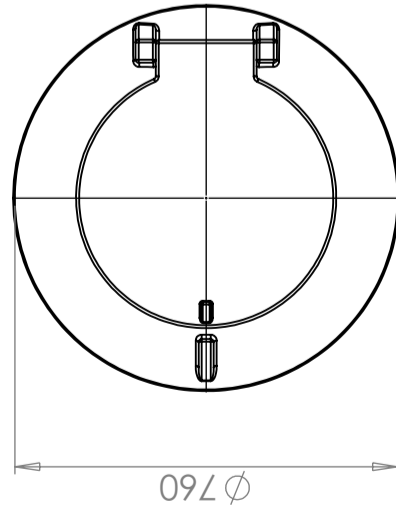
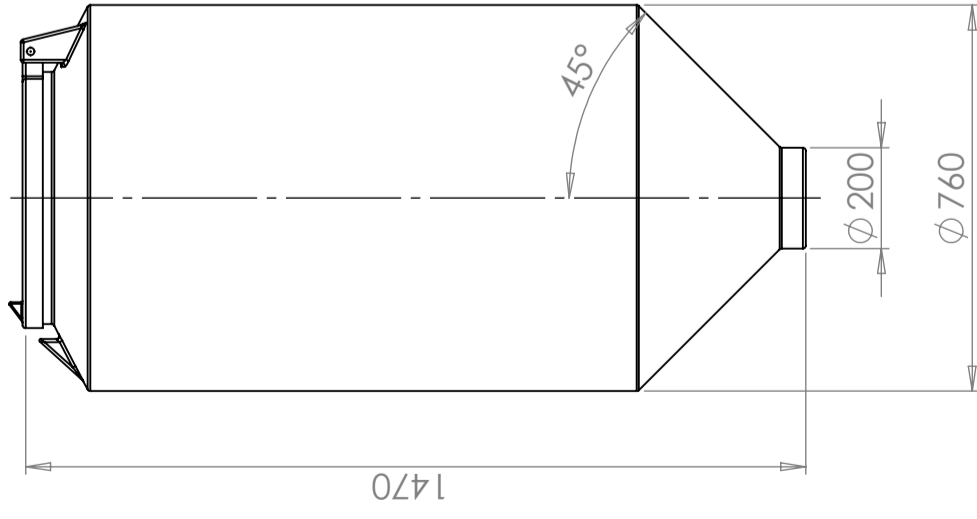
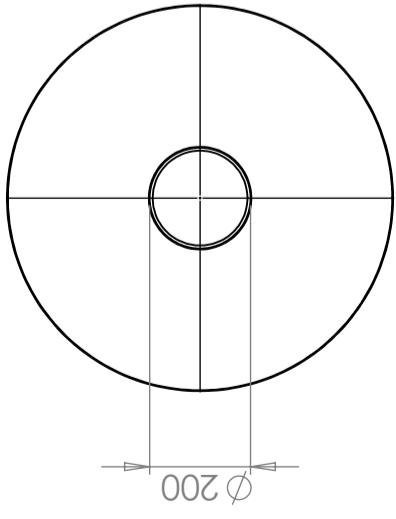
Logistics solutions



Suitable for food contact



Easy to clean



Revision

REV.

Ändringsmeddelande

Datum

Godkänd

This drawing and design is the property of CIPAX. Copying and distribution of the drawing or any contents is prohibited without written permission from authorised personal at CIPAX

Konstruerad av	Granskad av	Godkänd av - datum	Generell tolerans SS-ISO 2768-1	Generell Ytjämnhet, Ra	Vyplacering	Skala
		-				1:15
Titel/Benämning						
CPX Silo 500L cylindrisk						
Ritningsnummer						
40811						
Ägare						Blad
						A
						1(1)