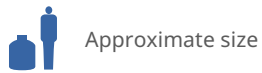


# Silo Cylindrical 400 L

Art.nr: 400-2



| Specifications |         |
|----------------|---------|
| Color          | Natural |
| Volume (L)     | 400     |
| Height (mm)    | 1240    |
| Diameter (mm)  | 760     |

## Characteristics



Recyclable



Wide temperature range



Chemical resistance



Leak test



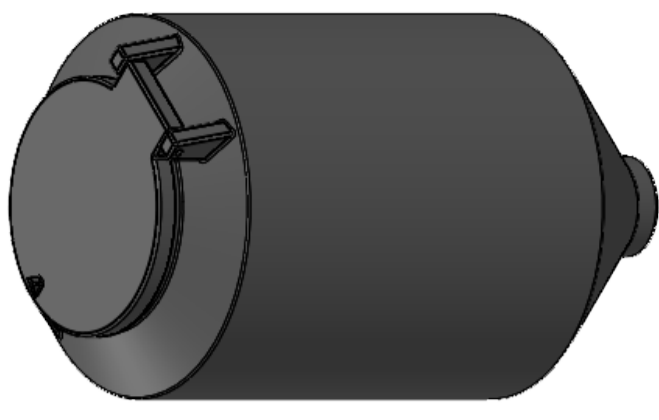
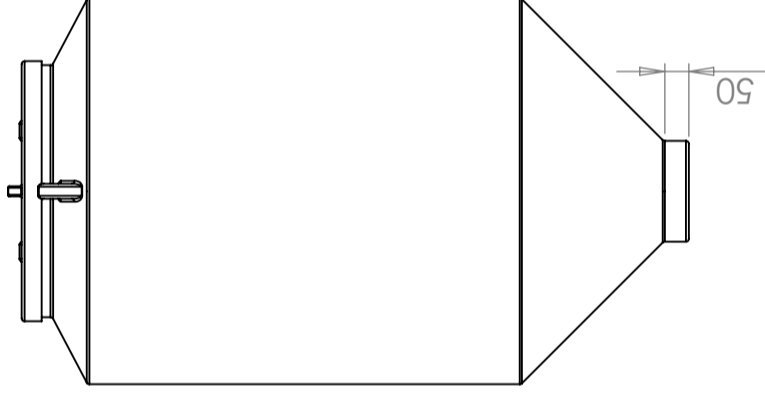
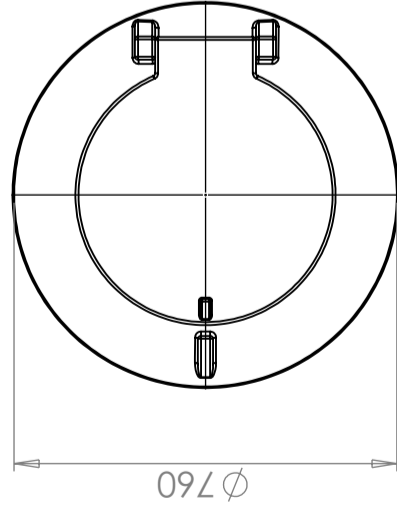
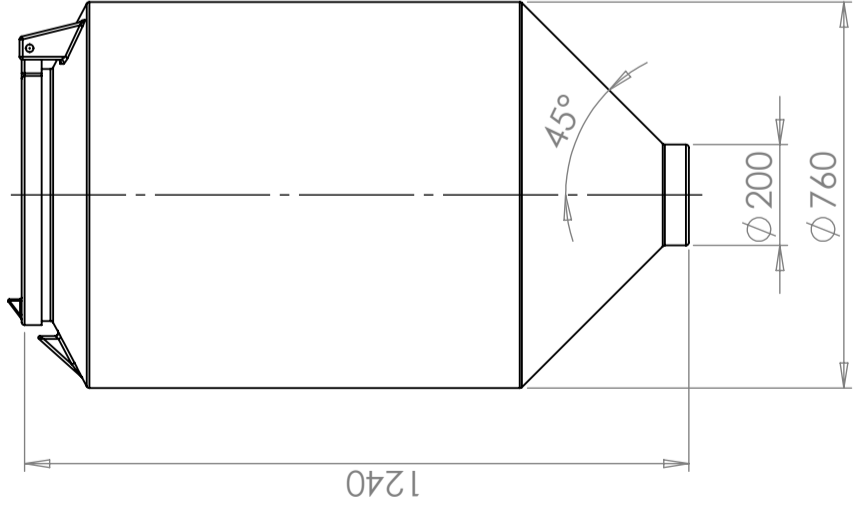
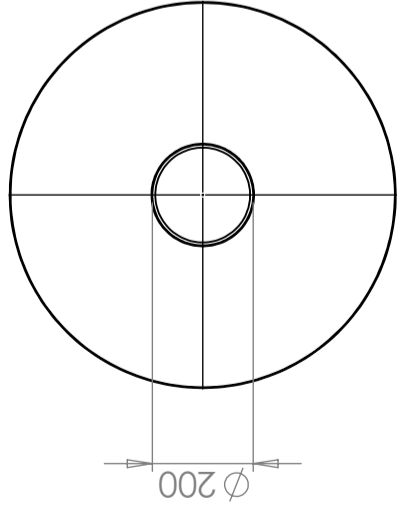
Logistics solutions



Suitable for food contact



Easy to clean



Revision

REV.

Ändringsmeddelande

Datum

Godkänd

This drawing and design is the property of CIPAX. Copying and distribution of the drawing or any contents is prohibited without written permission from authorised personal at CIPAX

|                          |             |                    |                                    |                           |             |       |
|--------------------------|-------------|--------------------|------------------------------------|---------------------------|-------------|-------|
| Konstruerad av           | Granskad av | Godkänd av - datum | Generell tolerans<br>SS-ISO 2768-1 | Generell<br>Ytjämnhet, Ra | Vyplacering | Skala |
|                          |             | -                  |                                    |                           |             | 1:20  |
| Titel/Benämning          |             |                    |                                    |                           |             |       |
| CPX Silo 400L cylindrisk |             |                    |                                    |                           |             |       |
| Ritningsnummer           |             |                    |                                    |                           |             |       |
| 40810                    |             |                    |                                    |                           |             |       |
| Ägare                    |             |                    |                                    |                           |             | Blad  |
|                          |             |                    |                                    |                           |             | A     |
|                          |             |                    |                                    |                           |             | 1(1)  |