

# Silo cylindrical 25L

Art.nr: 25-2



Approximate size

| Specifications |         |
|----------------|---------|
| Color          | Natural |
| Volume (L)     | 25      |
| Height (mm)    | 580     |
| Diameter (mm)  | 370     |

## Characteristics



Recyclable



Wide temperature range



Chemical resistance



Leak test



Logistics solutions

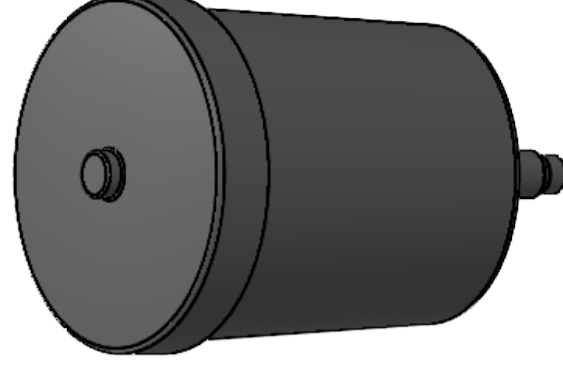
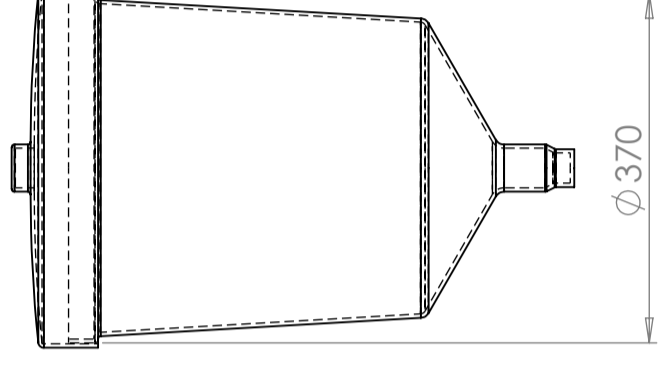
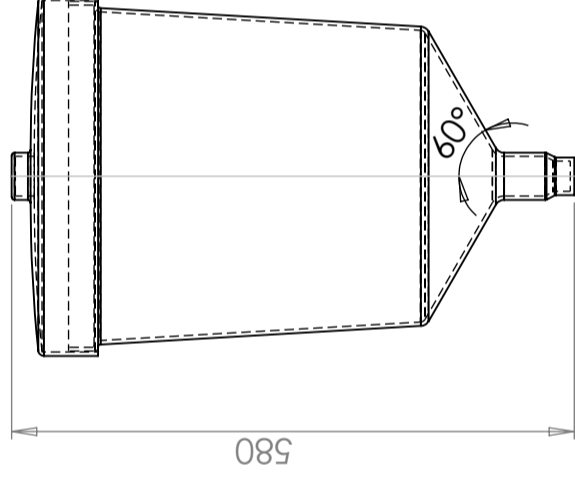
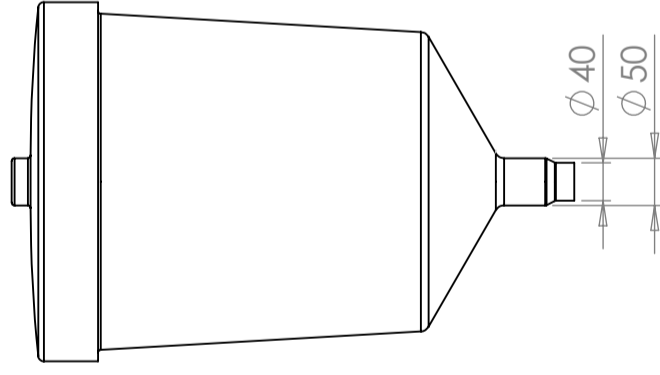
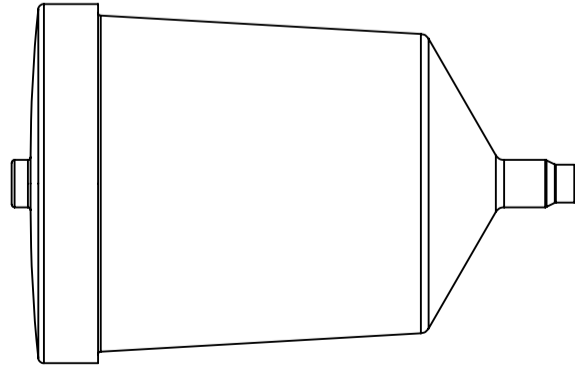
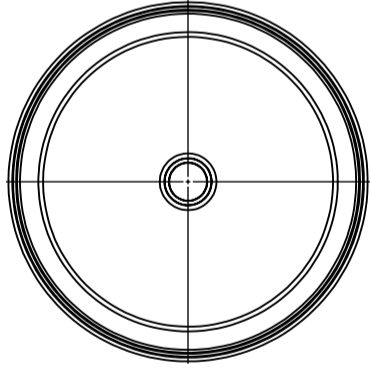


Suitable for food contact



Easy to clean

|          |                    |         |
|----------|--------------------|---------|
| Revision |                    |         |
| REV.     | Ändringsmeddelande | Datum   |
|          |                    | Godkänd |



This drawing and design is the property of Cipax. Copying and distribution of the drawing or any contents is prohibited without written permission from authorised personal at Cipax

|                         |             |                    |                                    |                           |             |       |
|-------------------------|-------------|--------------------|------------------------------------|---------------------------|-------------|-------|
| Konstruerad av          | Granskad av | Godkänd av - datum | Generell tolerans<br>SS-ISO 2768-1 | Generell<br>Ytjämnhet, Ra | Vyplacering | Skala |
|                         |             | -                  |                                    |                           |             | 1:10  |
| Titel/Benämning         |             |                    |                                    |                           |             |       |
| CPX Silo 25L cylindrisk |             |                    |                                    |                           |             |       |
| Ritningsnummer          |             |                    |                                    |                           |             |       |
| 40809                   |             |                    |                                    |                           |             |       |
| Utgåva                  |             |                    |                                    |                           |             | Blad  |
| A                       |             |                    |                                    |                           |             | 1(1)  |

