

Silo Cylindrical 1900 L

Art.nr: 1900-2



Approximate size

Specifications	
Color	Natural
Volume (L)	1900
Height (mm)	2620
Diameter (mm)	1100

Characteristics



Recyclable



Wide temperature range



Chemical resistance



Leak test



Logistics solutions

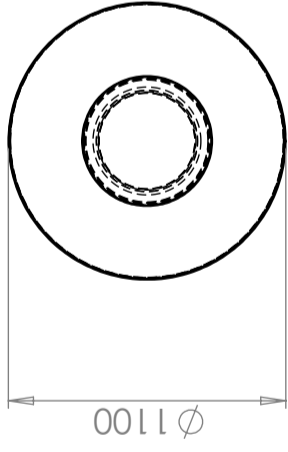
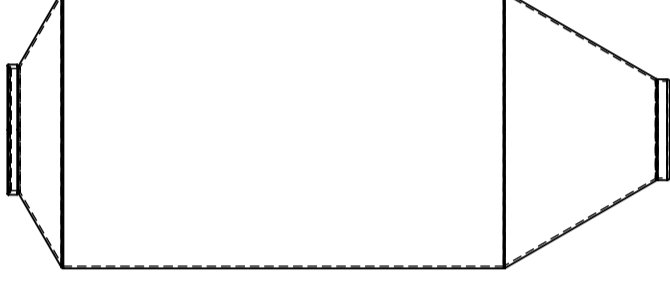
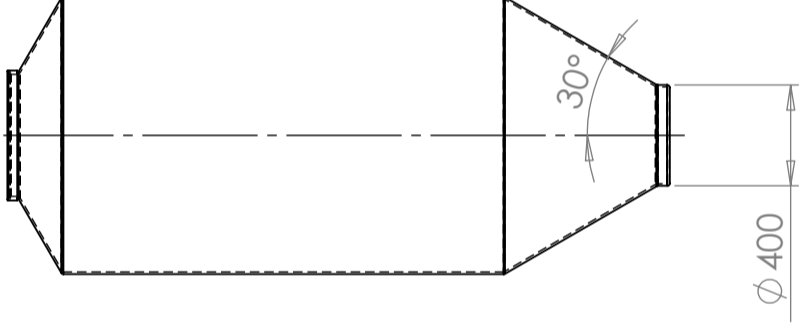
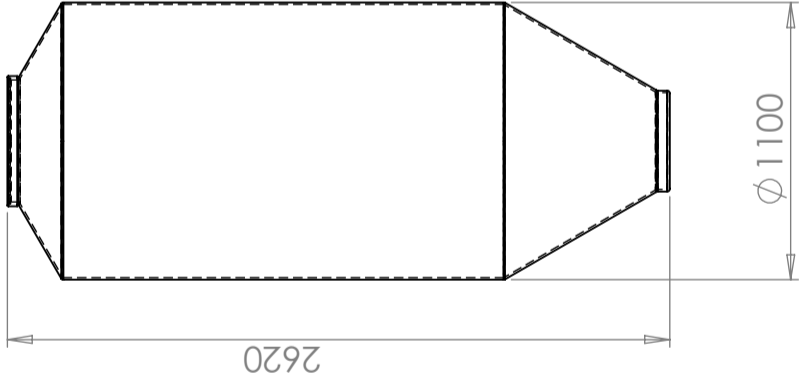
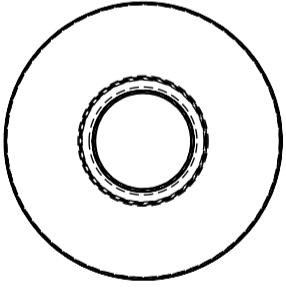


Suitable for food contact



Easy to clean

Revision		
REV.	Ändringsmeddelande	Datum
		Godkänd



This drawing and design is the property of Cipax. Copying and distribution of the drawing or any contents is prohibited without written permission from authorised personal at Cipax

Konstruerad av	Granskad av	Godkänd av - datum	Generell tolerans SS-ISO 2768-1	Generell Ytjämnhet, Ra	Vyplacering	Skala
		-				1:30
			Titel/Benämning			
Ägare			CPX Silo 1900L cylindrisk			
			Ritningsnummer			
			40813			
			Utgåva		Blad	
			A		1(1)	