

# Silo Cylindrical 1800 L

Art.nr: 1800-2



Approximate size

Specifications	
Color	Natural
Volume (L)	1800
Height (mm)	2000
Diameter (mm)	1350

## Characteristics



Recyclable



Wide temperature range



Chemical resistance



Leak test



Logistics solutions

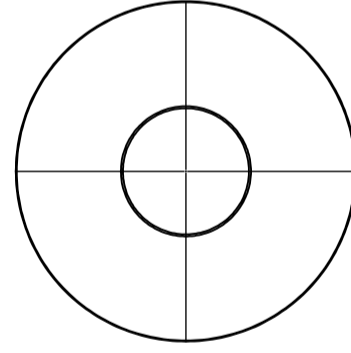
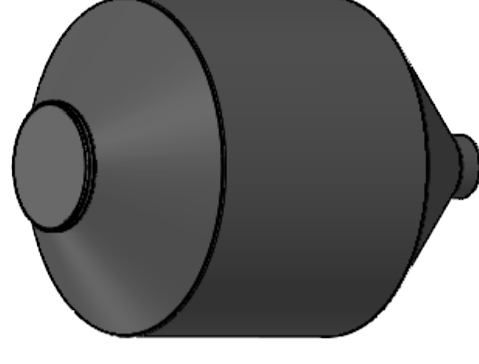
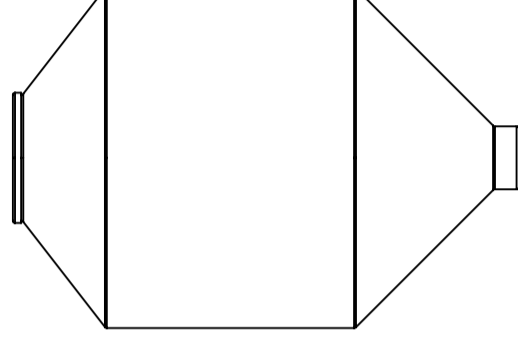
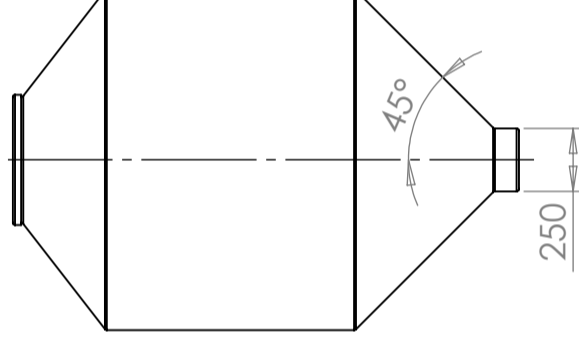
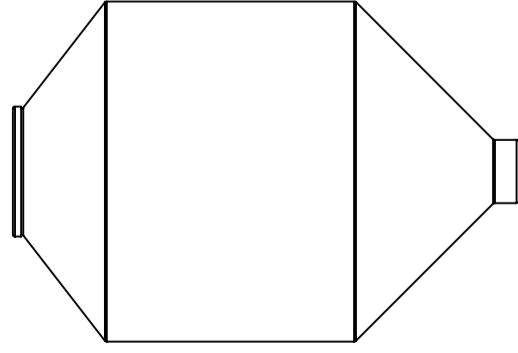
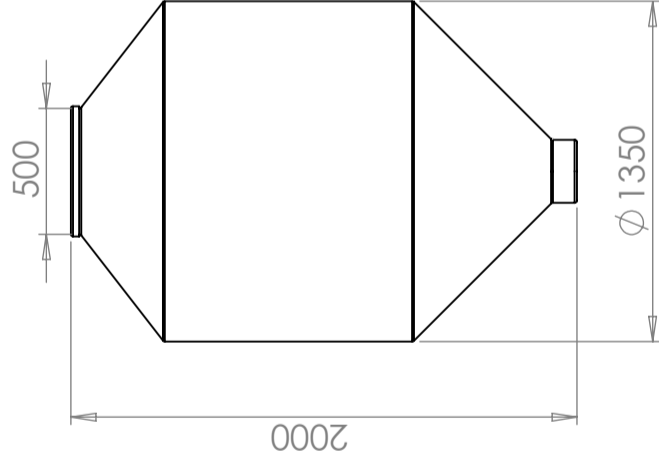
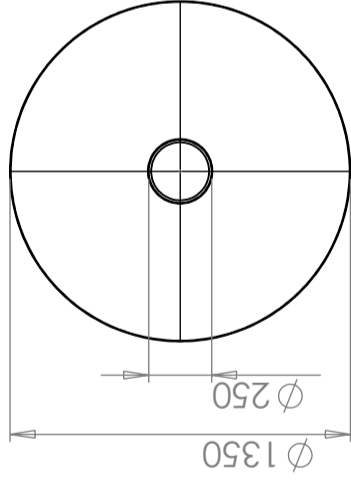


Suitable for food contact



Easy to clean

Revision		
REV.	Ändringsmeddelande	Datum
		Godkänd



This drawing and design is the property of Cipax. Copying and distribution of the drawing or any contents is prohibited without written permission from authorised personal at Cipax

Konstruerad av	Granskad av	Godkänd av - datum	Generell tolerans SS-ISO 2768-1	Generell Ytjämnhet, Ra	Vyplacering	Skala
		-				1:50
			Titel/Benämning			
			CPX Silo 1800L cylindrisk			
			Ritningsnummer			
			40805			
Ägare			Utgåva		Blad	
			A		1(1)	