

# Silo Cylindrical 1400 L

Art.nr: 1400-2



Approximate size

Specifications	
Color	Natural
Volume (L)	1400
Height (mm)	2085
Diameter (mm)	1100

## Characteristics



Recyclable



Wide temperature range



Chemical resistance



Leak test



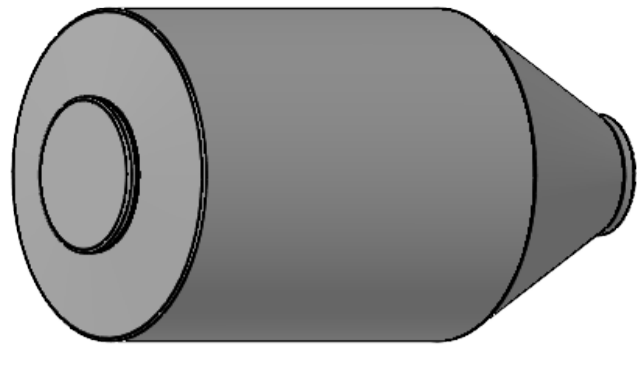
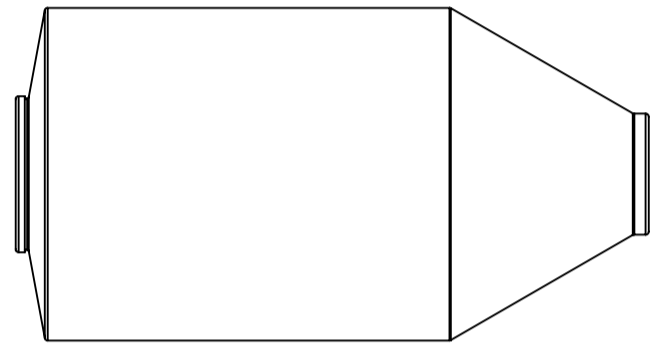
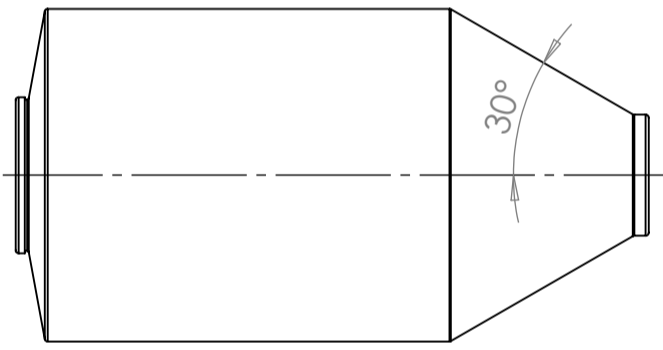
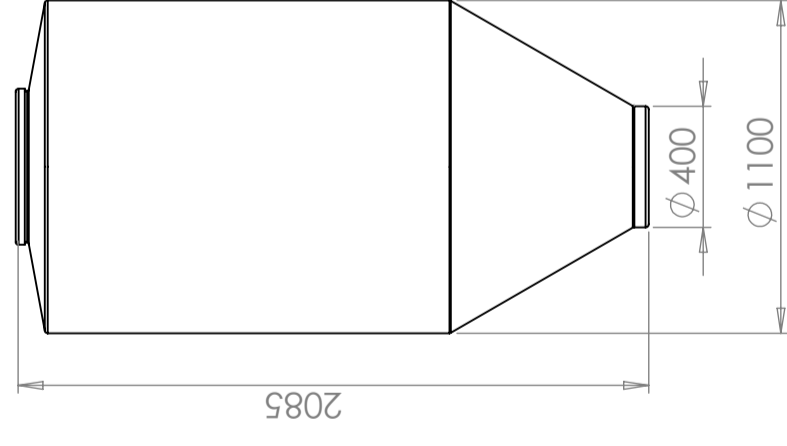
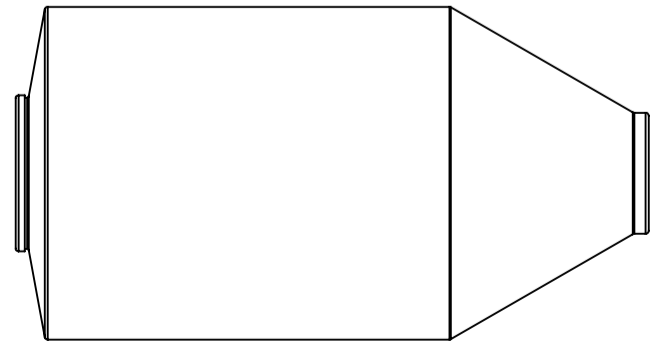
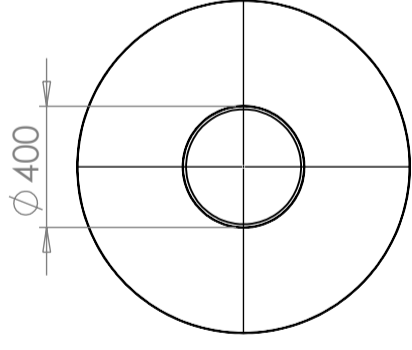
Logistics solutions



Suitable for food contact



Easy to clean



This drawing and design is the property of Cipax. Copying and distribution of the drawing or any contents is prohibited without written permission from authorised personal at Cipax

Revision		
REV.	Ändringsmeddelande	Godkänd
		Datum

Konstruerad av	Granskad av	Godkänd av - datum	Generell tolerans SS-ISO 2768-1	Generell Ytjämnhet, Ra	Vyplacering	Skala
		-				1:25
Titel/Benämning						
CPX Silo 1400L cylindrisk						
Ritningsnummer						
40812						
Ägare						Blad
						A
						1(1)