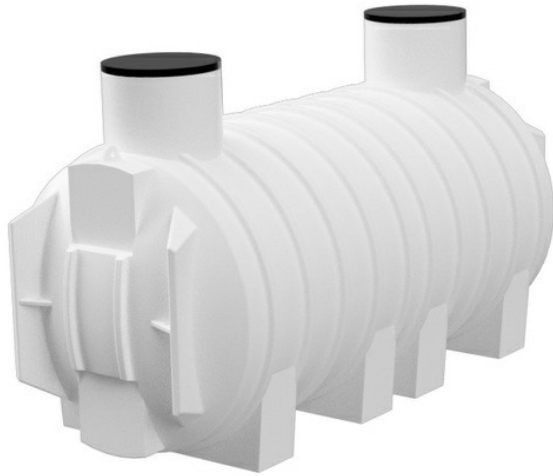


Fluid holder 10000 L

Art.nr: 10000-10V



Approximate size

Specifications	
Volume (L)	10000
Length (mm)	4260
Height (mm)	2430
Diameter (mm)	2430

Characteristics



Recyclable



Wide temperature range



Chemical resistance



Leak test



Logistics solutions

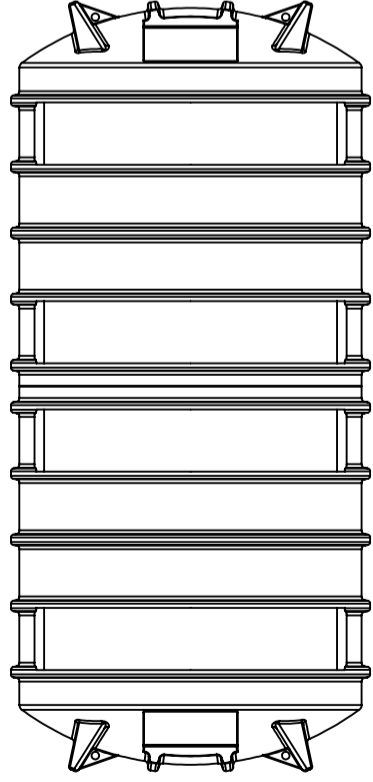


Suitable for food contact

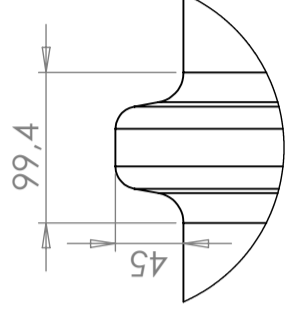
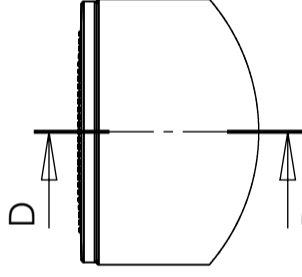


Easy to clean

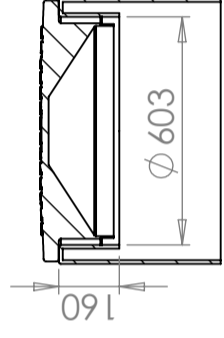
Revision		Godkänd	
REV.	Ändringsmeddelande	Datum	



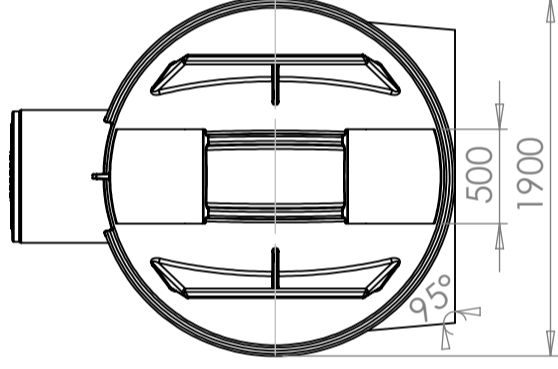
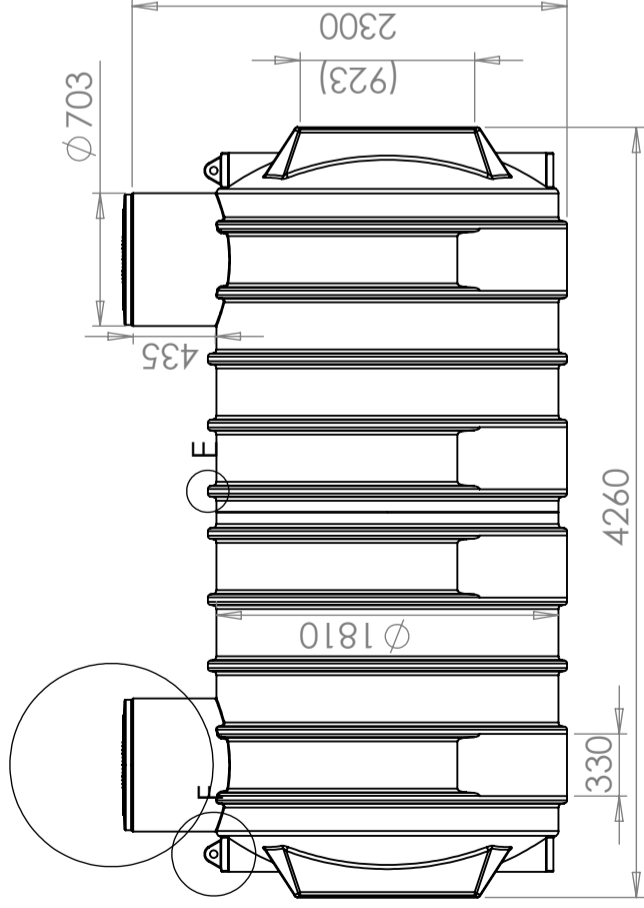
DETAIL C
SCALE 1 : 20



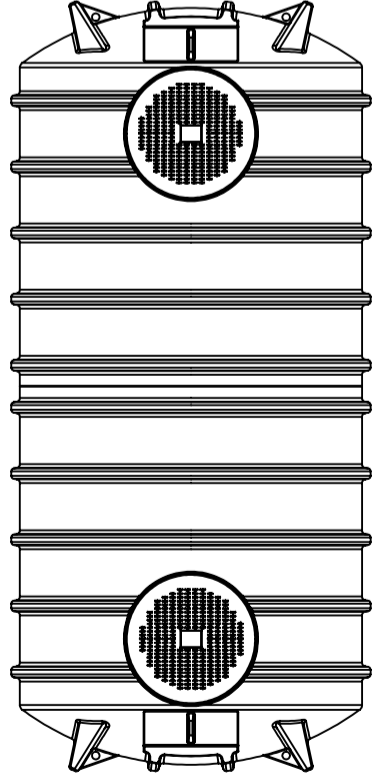
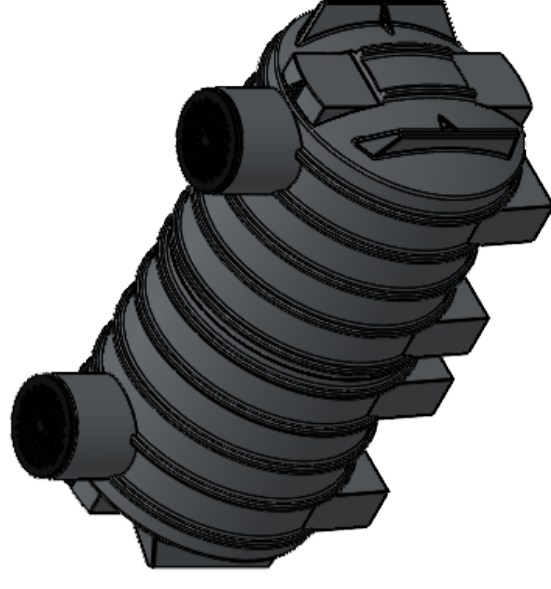
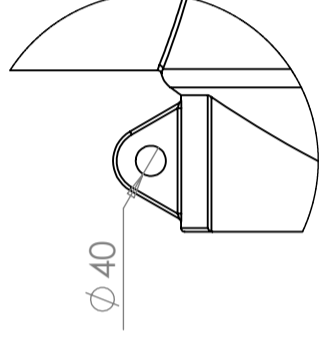
DETAIL E
SCALE 1 : 5



SECTION D-D
SCALE 1 : 20



DETAIL F
SCALE 1 : 10



This drawing and design is the property of CIPAX. Copying and distribution of the drawing or any contents is prohibited without written permission from authorised personal at CIPAX

Konstruerad av	Granskad av	Godkänd av - datum	Generell tolerans SS-ISO 2768-1	Generell Ytjämnhet, Ra	Vyplacering	Skala
		-				1:50
Titel/Benämning						
CPX Sluten tank 10000L						
Ritningsnummer						
23100						
Utgåva						Blad
A						1(1)

