



Rainwater well 100 L

Art.nr: 100-13-2

Specifications	
Color	Natural
Volume (L)	100
Height (mm)	750
Diameter (mm)	500

Characteristics



Recyclable



Wide temperature range



Chemical resistance



Leak test



Logistics solutions

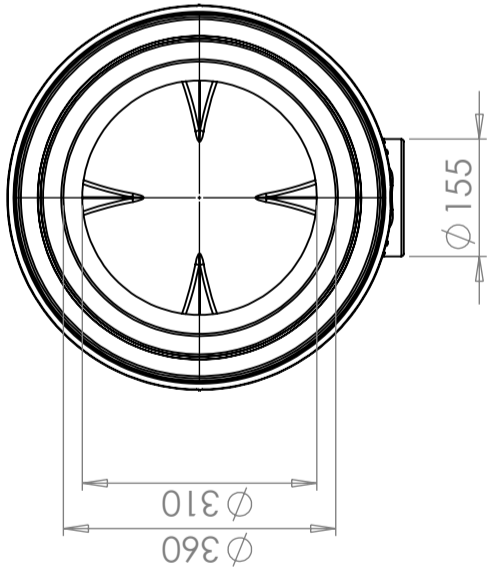
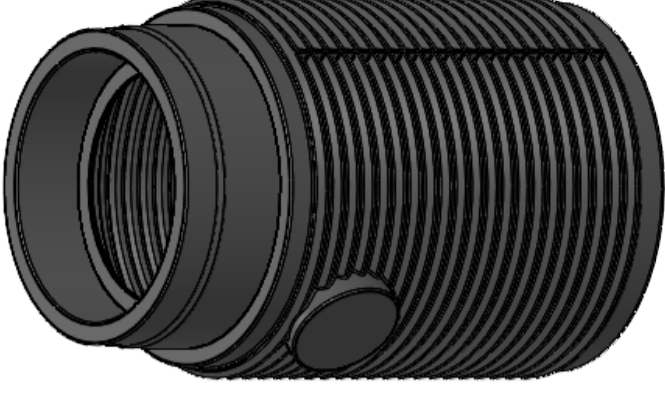
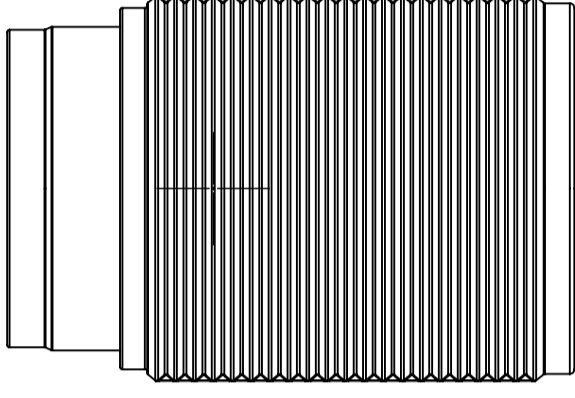
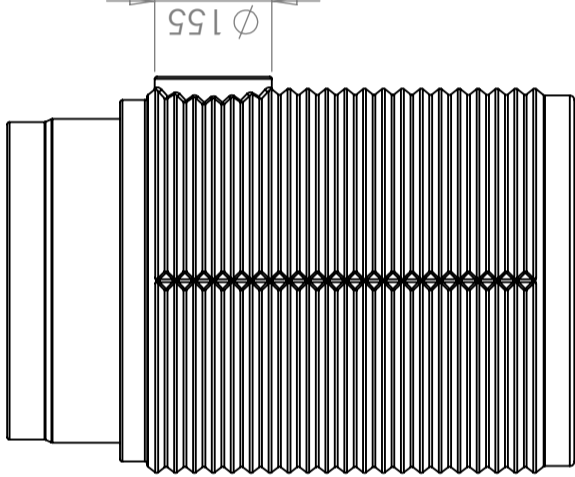
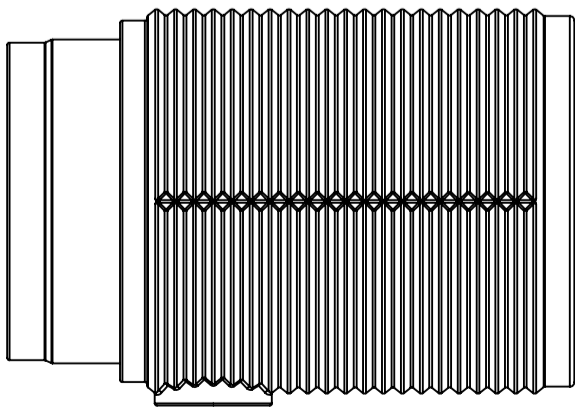
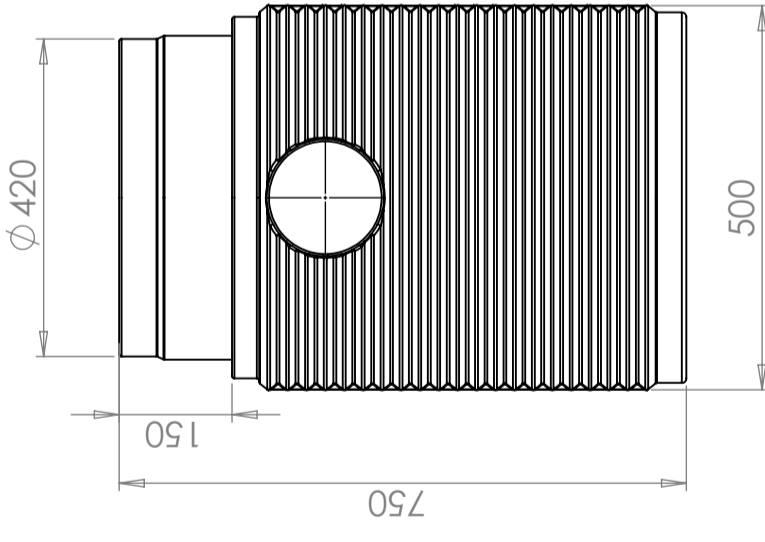
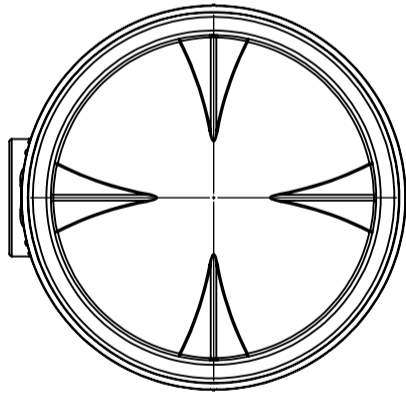


Suitable for food contact



Easy to clean

Revision		
REV.	Ändringsmeddelande	Datum
		Godkänd



This drawing and design is the property of CIPAX. Copying and distribution of the drawing or any contents is prohibited without written permission from authorised personal at CIPAX

Konstruerad av	Granskad av	Godkänd av - datum	Generell tolerans SS-ISO 2768-1	Generell Ytjämnhet, Ra	Vyplacering	Skala
		-				1:10
Titel/Benämning						
CPX Regnvattenbrunn 100L						
Ritningsnummer						
23062						
Utgåva						Blad
A						1(1)

