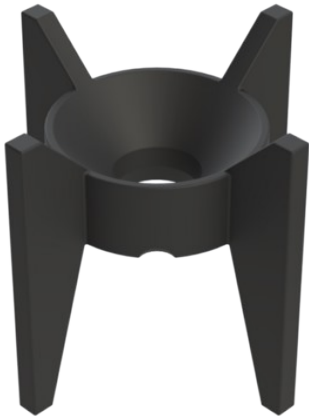


## PE-Sockel für 300-600-L-Silo

Art.-Nr.: 300-2S-600-2S



### Spezifikationen

|                  |         |
|------------------|---------|
| Farbe            | Schwarz |
| Durchmesser (mm) | 760     |

### Eigenschaften



Recyclbar



Großer  
Temperaturbereich



Chemikalienbeständig



Dichtigkeitsprüfung



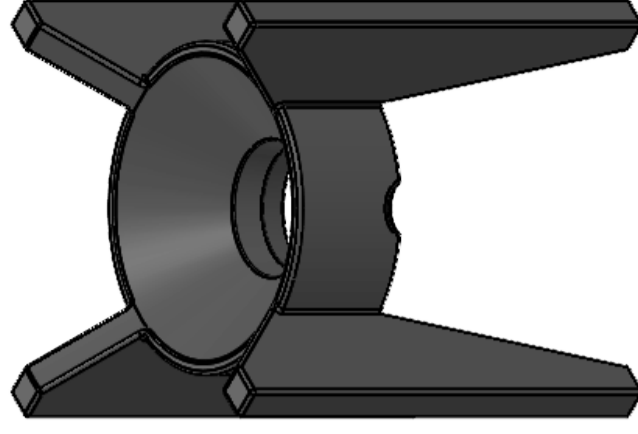
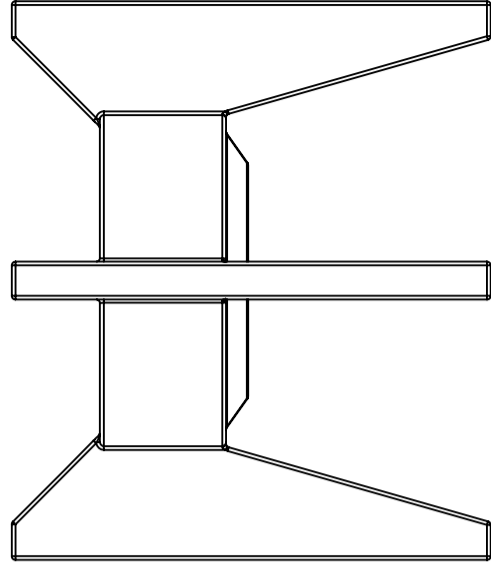
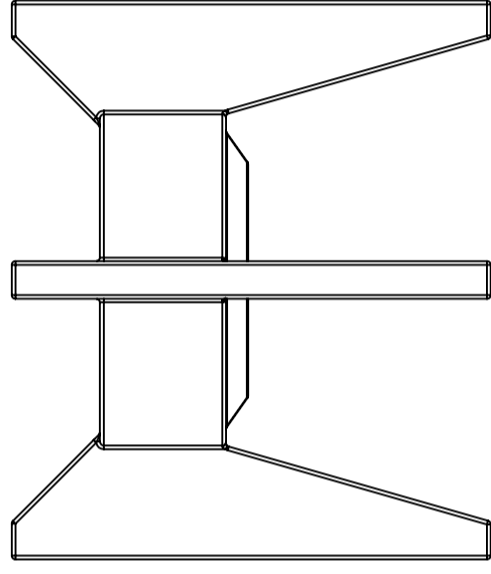
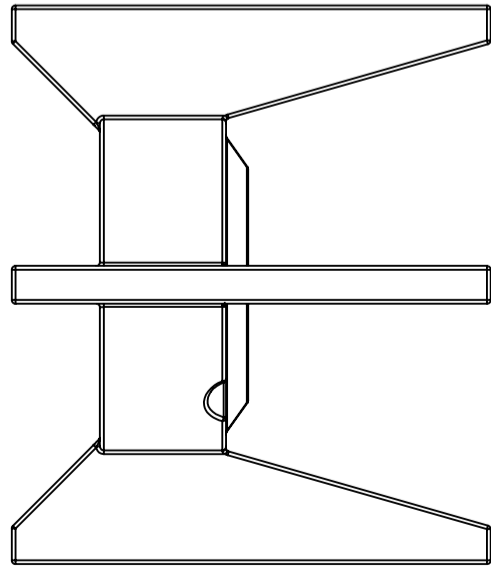
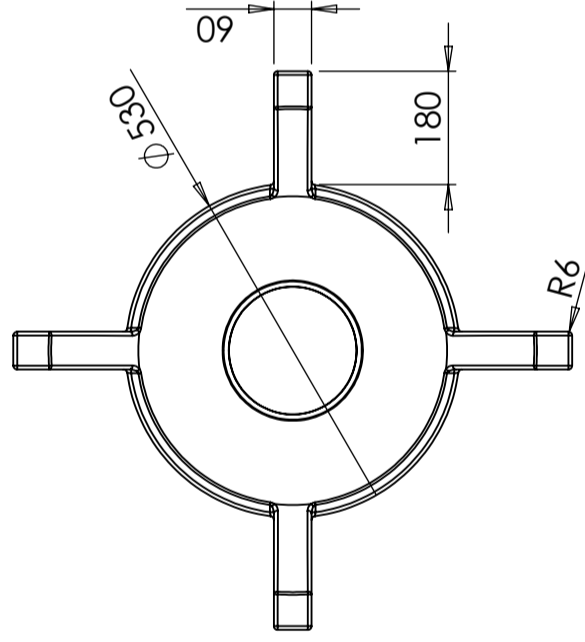
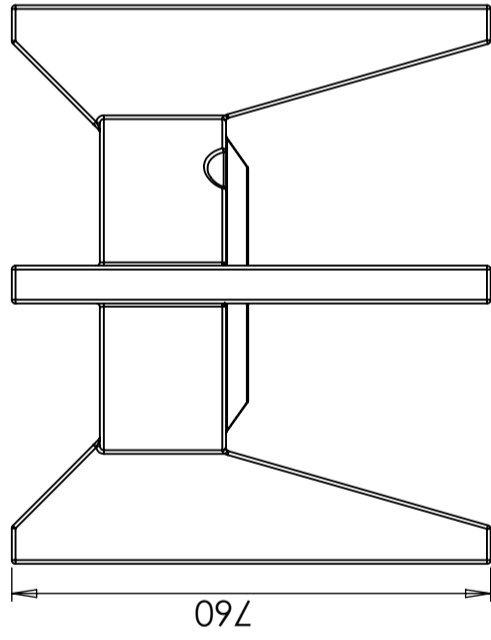
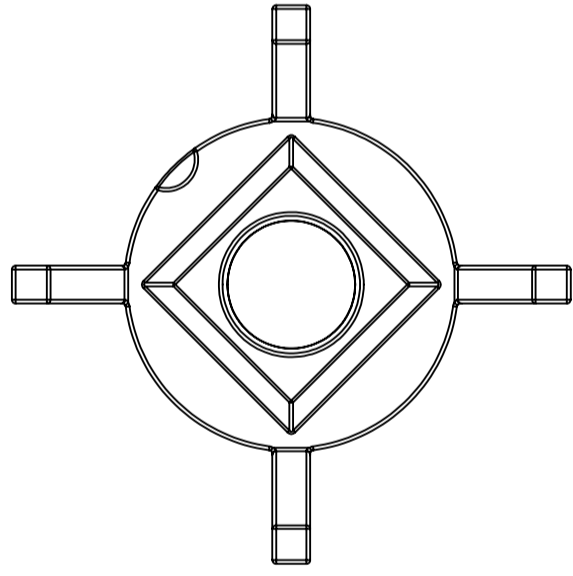
Logistiklösung



An Lebensmittel angepasst



Einfach zu reinigen



| Revision |  | Reason of change |  | Date |  | Approved |  |
|----------|--|------------------|--|------|--|----------|--|
| Revision |  | Reason of change |  | Date |  | Approved |  |

|                |              |                    |                                    |                               |               |       |
|----------------|--------------|--------------------|------------------------------------|-------------------------------|---------------|-------|
| Designed by    | Inspected by | Approved by - Date | General tolerance<br>SS-ISO 2768-1 | General surface<br>finish, Ra | View position | Scale |
|                |              | -                  |                                    |                               |               | 1:12  |
| Owner          |              |                    | Title/Name                         |                               |               |       |
|                |              |                    | <b>Stativ silo 300-600L PE</b>     |                               |               |       |
| Drawing Number |              |                    | Edition                            |                               |               |       |
| 69392          |              |                    | 1(1)                               |                               |               |       |

This drawing and design is the property of CIPAX. Copying and distribution of the drawing or any contents is prohibited without written permission from authorised personal at CIPAX