

Metallgestell für 1900-L-Silo

Art.-Nr.: 1900-2s



Spezifikationen

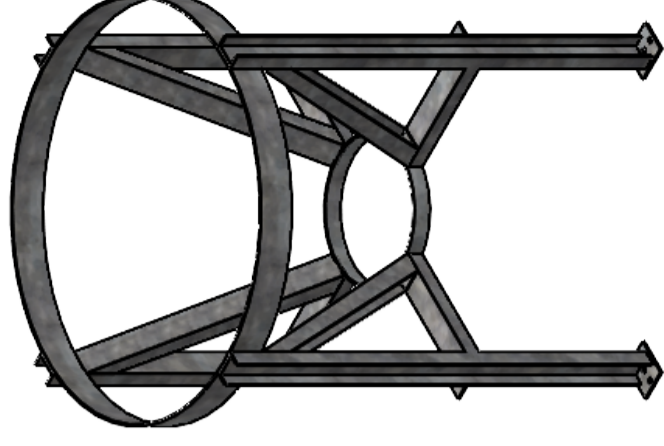
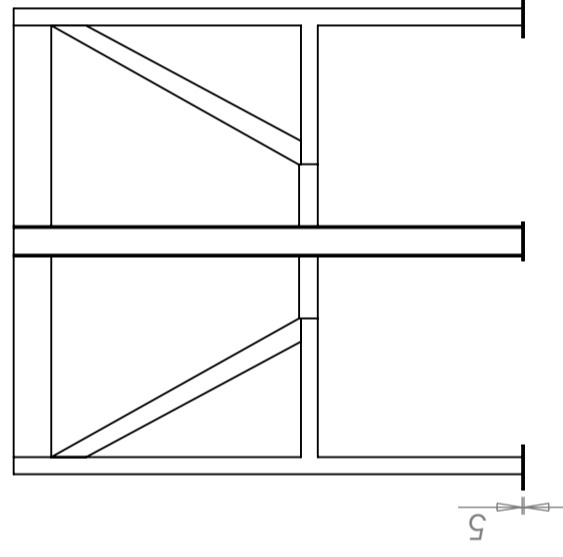
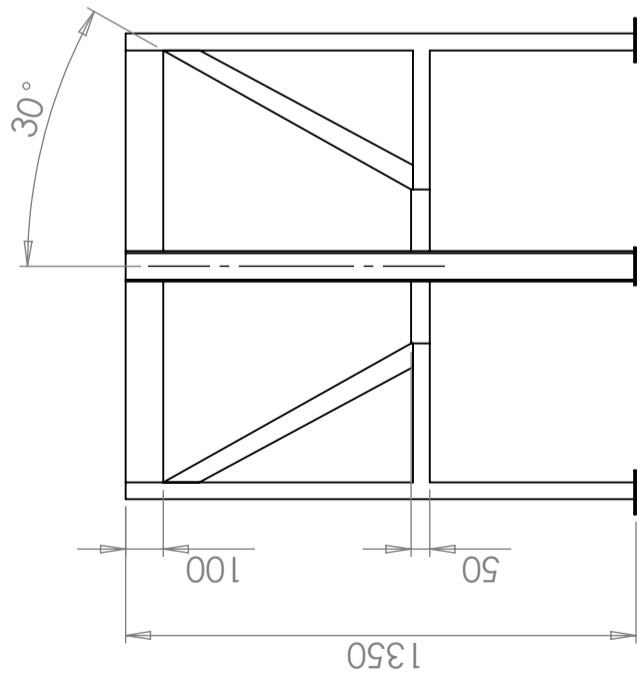
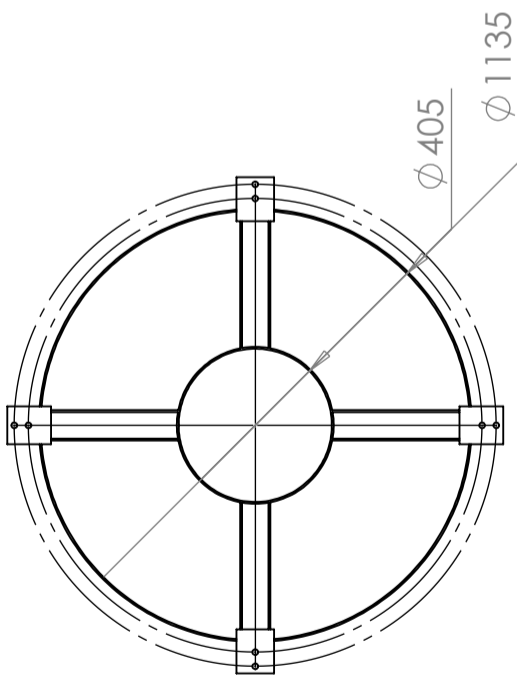
Farbe

Silber

Eigenschaften



Logistiklösung



T = 5mm
Galvanized steel

| | | |
|----------|--------------------|---------|
| Revision | | |
| REV. | Ändringsmeddelande | Datum |
| | | Godkänd |

This drawing and design is the property of CIPAX. Copying and distribution of the drawing or any contents is prohibited without written permission from authorised personal at CIPAX

| | | | | | | |
|----------------------------------|-------------|--------------------|------------------------------------|---------------------------|-------------|--------|
| Konstruerad av | Granskad av | Godkänd av - datum | Generell tolerans SS-ISO 2768-1 | Generell Ytjämnhet, Ra | Vyplacering | Skala |
| | | - | | | | 1:20 |
| Titel/Benämning | | | | | | |
| Stativ silo 1400L & 1900L metall | | | | | | |
| Ritningsnummer | | | | | | |
| 69396 | | | | | | |
| Ägare | | | | | | Utgåva |
| | | | | | | A |
| | | | | | | Blad |
| | | | | | | 1(1) |